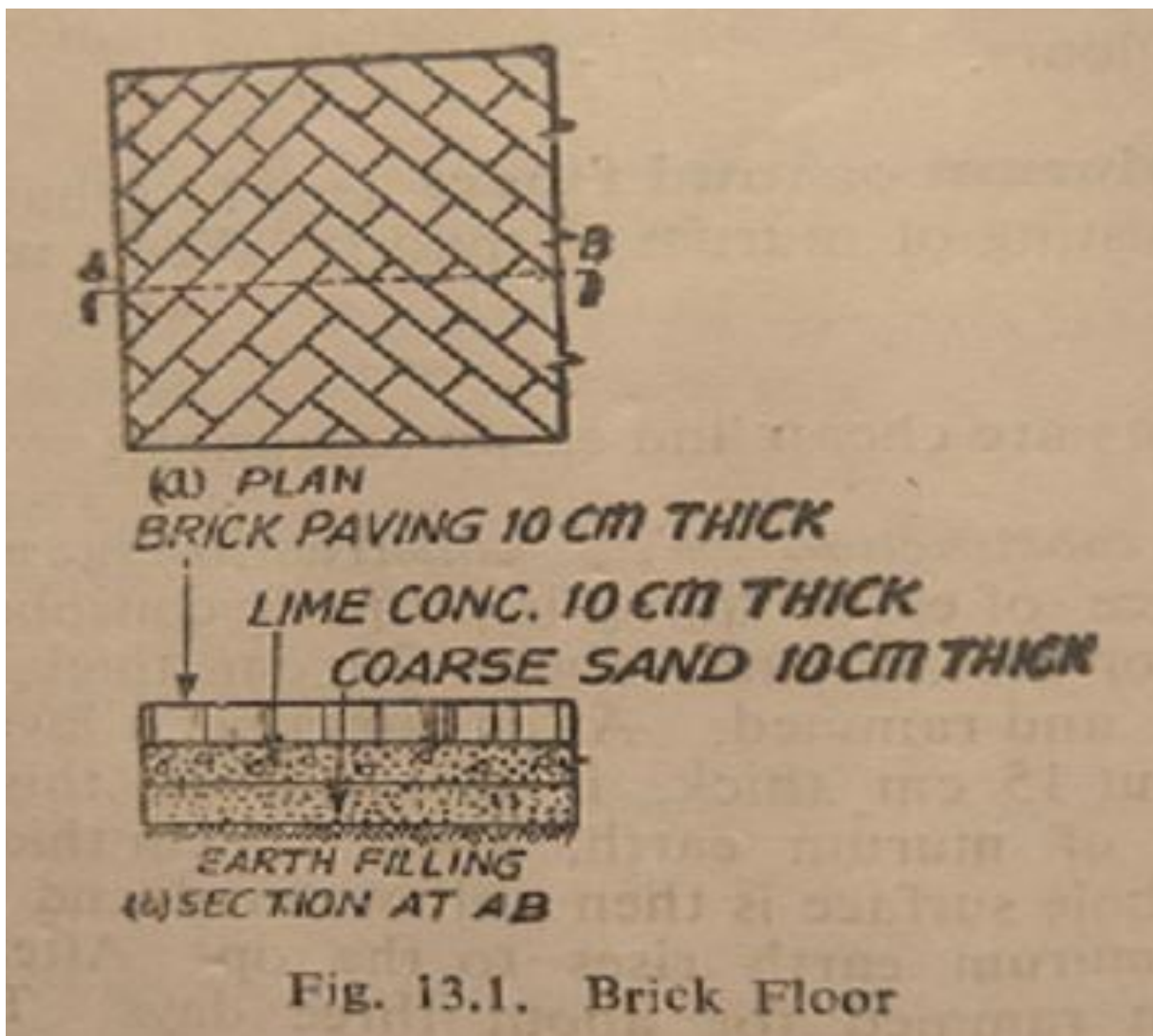
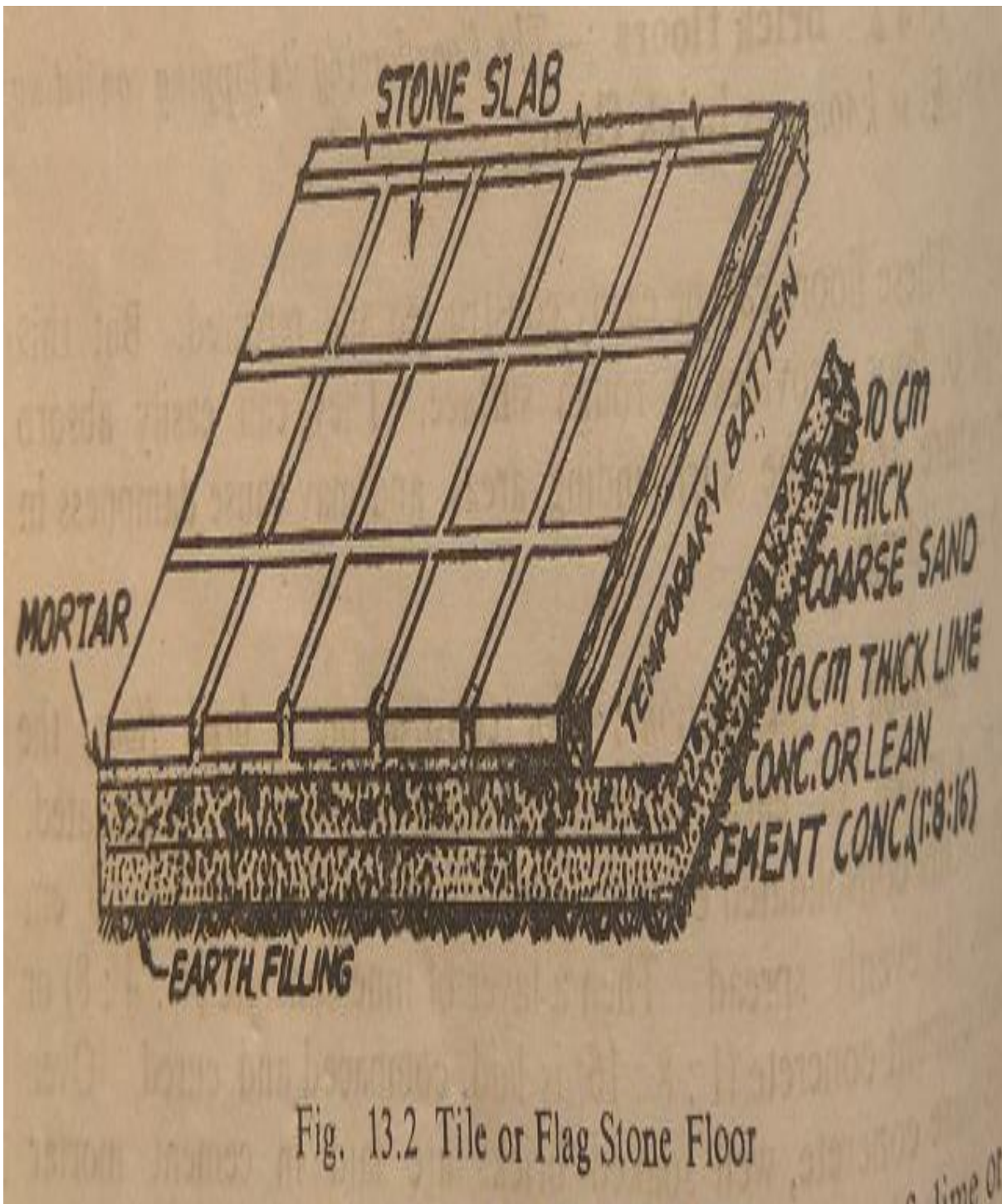


Lecture
Types Of Flooring



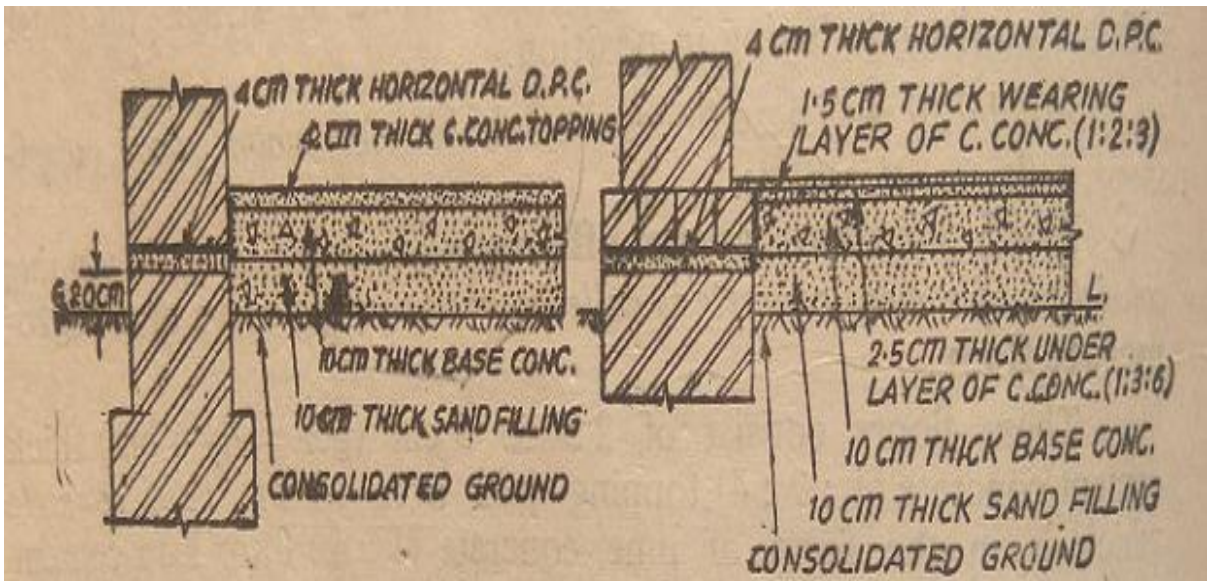
Drawing Sheet – 1st

BRICK FLOOR

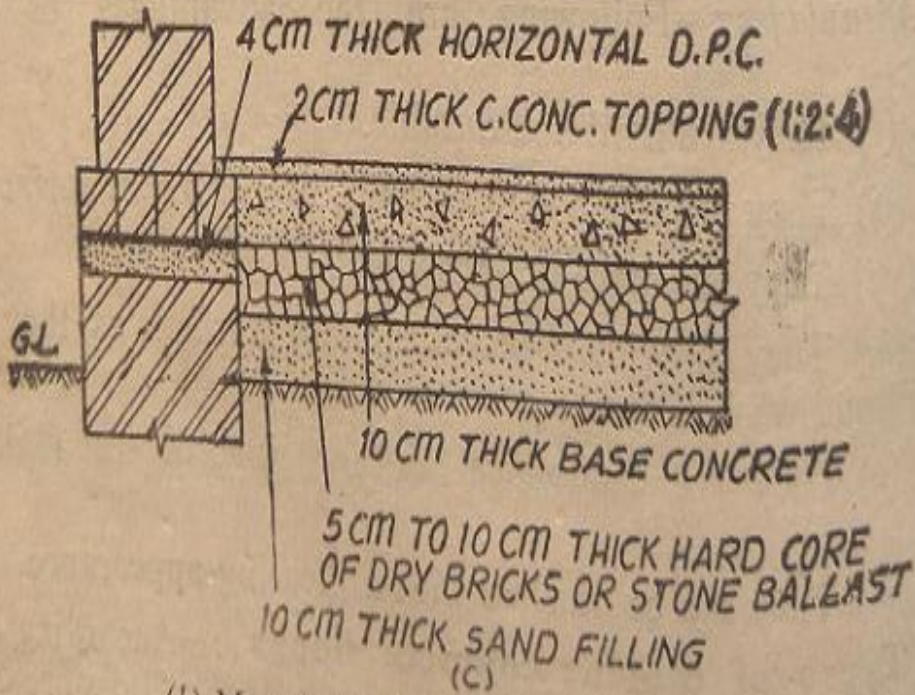


Drawing Sheet – 1st

TILE OR FLAG STONE FLOOR



(i) Topping laid in Single Layer (ii) Topping laid in Two Layers
(a) Bonded Finish Concrete Floor



(b) Monolithic Finish Concrete Floor

Fig. 13.3. Cement Concrete Floor

Drawing Sheet – 2ND

CEMENT CONCRETE FLOOR

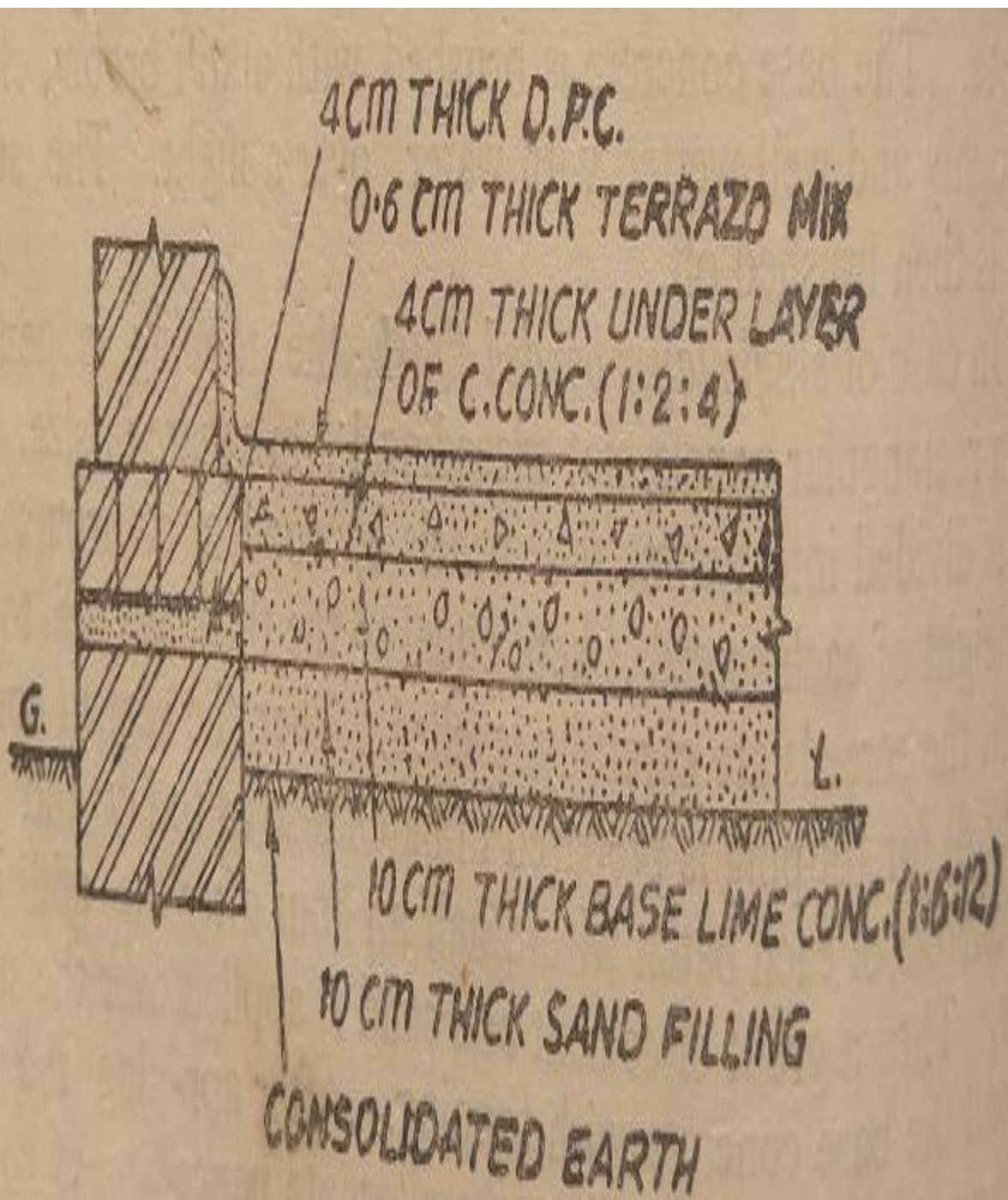
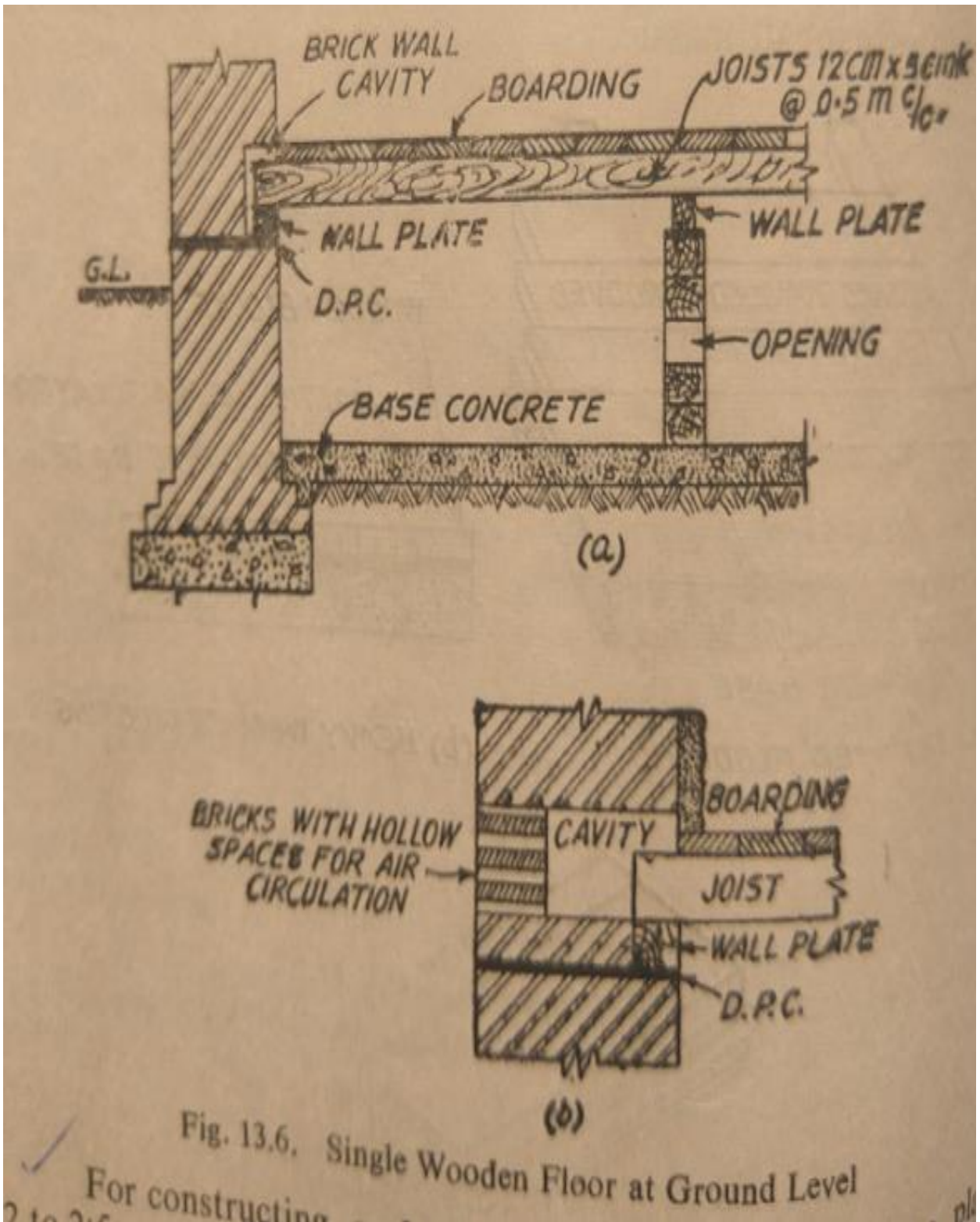


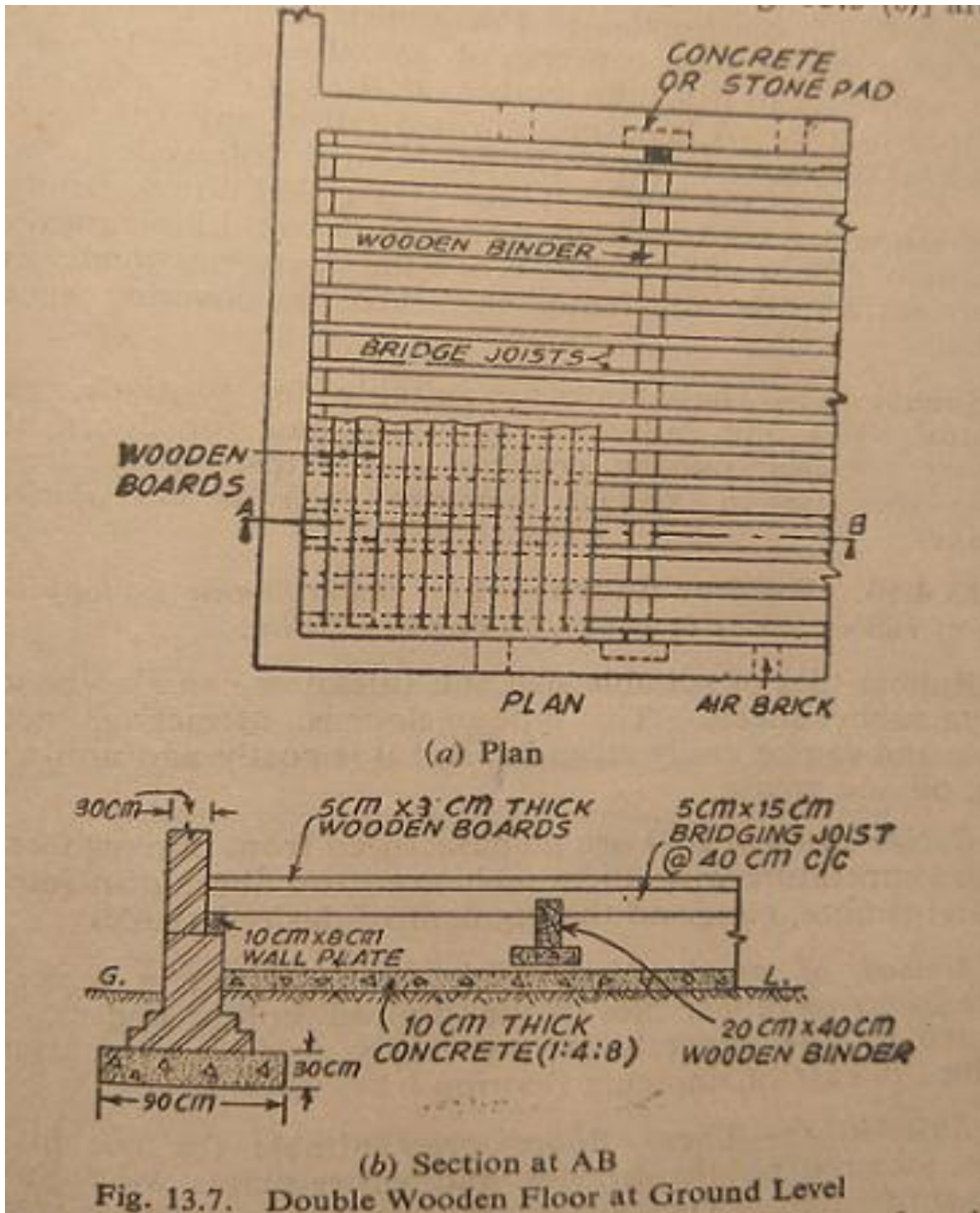
Fig. 13.4. Terrazo Floor

The terrazo mix

TERRAZO FLOOR



SINGLE WOODEN FLOOR



Drawing Sheet – 3RD

DOUBLE WOODEN FLOOR