

Problem 13.19. Fig. 13.28 shows two views of an object. Study the drawing carefully and draw an isometric view.

Solution. See fig. 13.29 for its solution.

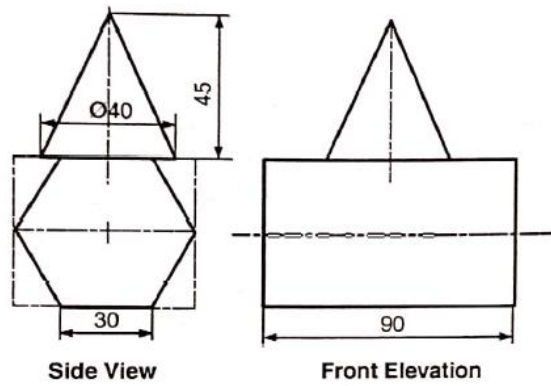


Fig. 13.28

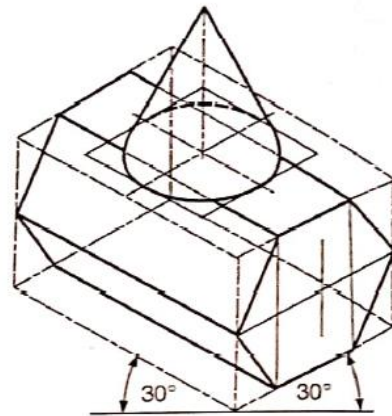


Fig. 13.29

Problem 13.12. Two orthographic views are shown in fig. 13.16 (a). Study the drawing carefully and draw the isometric projection of the drawing.

Solution. See figs. 13.16 (a) and 13.16 (b) in which the isometric projection of a block are drawn.

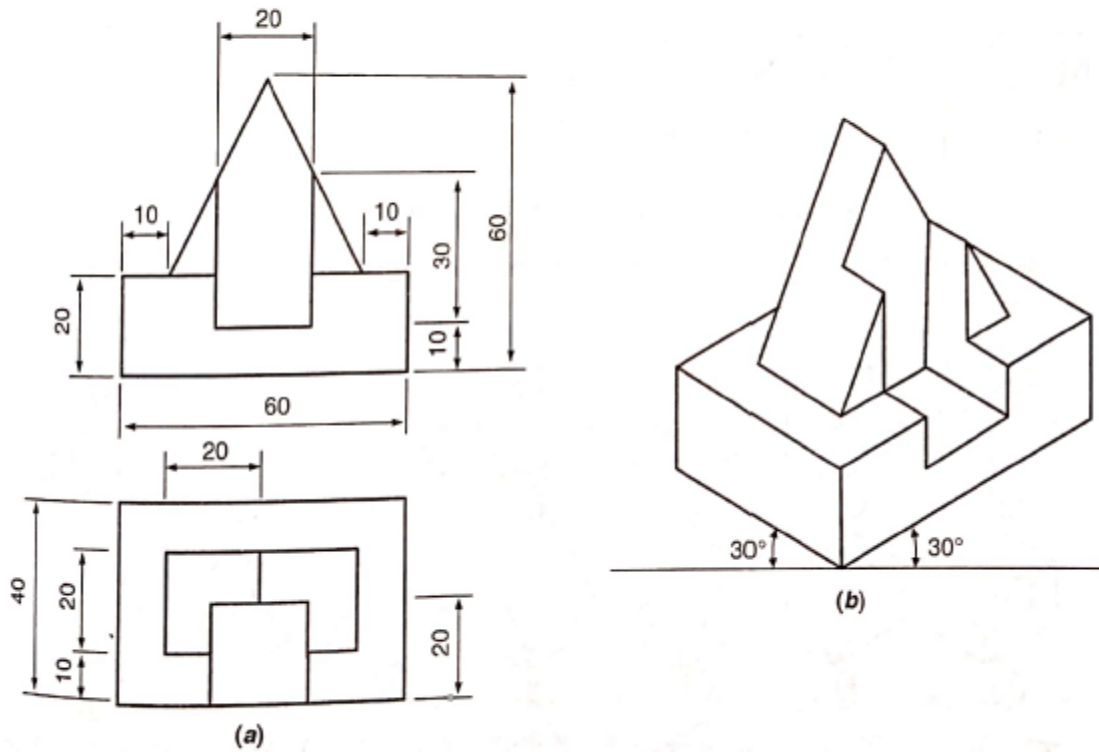


Fig. 13.16 : Isometric Projection of a Block